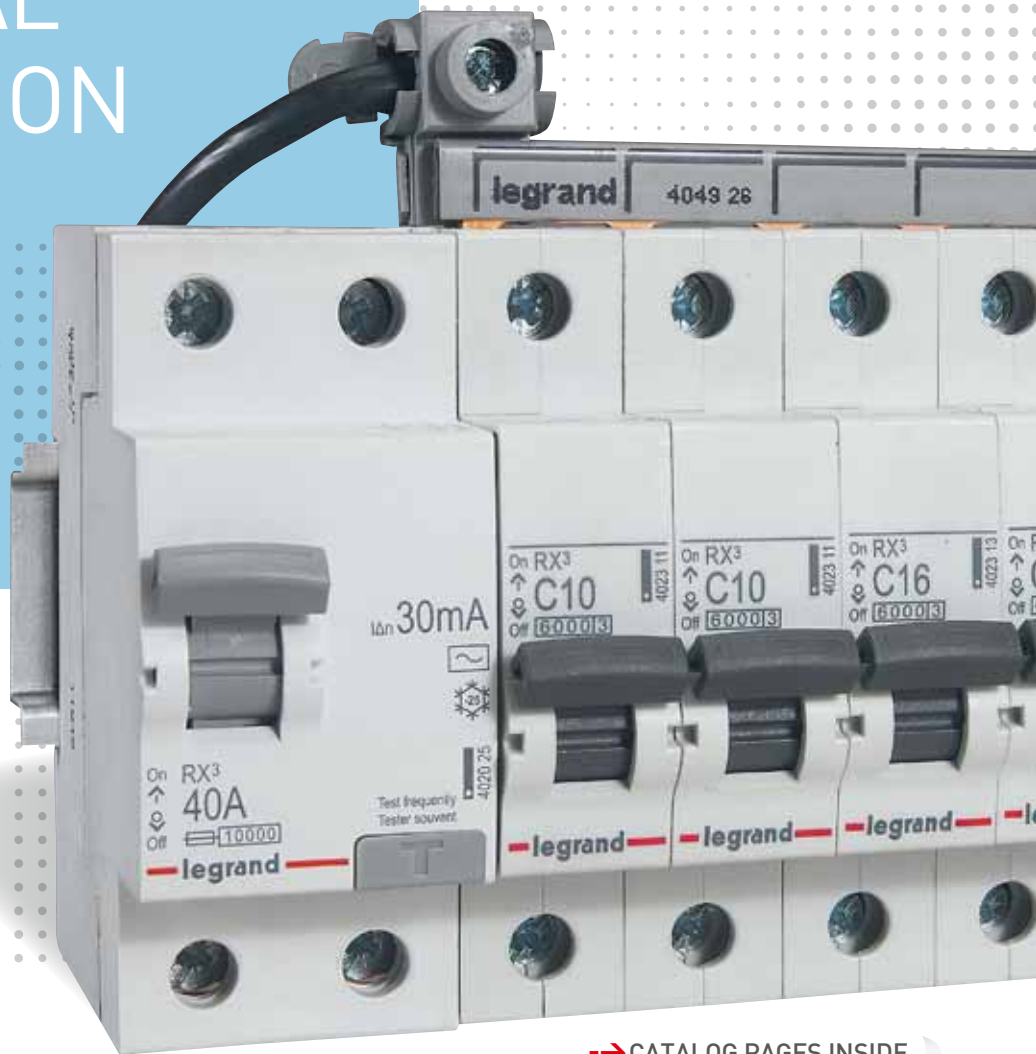


# RX<sup>3</sup>

## ESSENTIAL PROTECTION



[--> CATALOG PAGES INSIDE](#)

THE **GLOBAL SPECIALIST**  
IN ELECTRICAL AND DIGITAL BUILDING INFRASTRUCTURES

 **legrand**<sup>®</sup>

# NEW RX<sup>3</sup> RANGE

## ESSENTIAL PROTECTION

The new RX<sup>3</sup> range of RCDs and MCBs provides a response to the essential requirements on residential or small business sites, protecting against short-circuits, overloads and residual current faults.

THE BREADTH OF THE  
RANGE COVERS  
THE ESSENTIAL  
REQUIREMENTS OF SITES:  
C CURVES, 4500 BREAKING  
CAPACITIES AND RESIDUAL  
CURRENT PROTECTION

### RCDS



- $I_n$  = 25 to 63 A
- 2P
- Sensitivity:  
AC type 30/100/300 mA
- Conform to standard IEC 61008-1



IDEAL FOR BUILDINGS IN  
THE RESIDENTIAL AND  
SMALL BUSINESS SECTORS  
(OFFICES, SHOPS, ETC.)

## THERMAL-MAGNETIC CIRCUIT BREAKERS



- $I_n = 6$  to 63 A
- 1P/2P/3P
- Breaking capacity  $[4500]$  at 230/400 V~
- C curve
- Conform to standard SNI 04-6507.1-2002
- Conform to standard IEC 60898-1

# NEW RX<sup>3</sup> RANGE

## SAFE, RELIABLE AND EASY TO INSTALL



### SAFE, EASY WIRING:

- IP2X insulated terminals
- Large capacity terminals 35 mm<sup>2</sup>
- Rising clamp terminals
- Compatible with Phillips or flat screwdriver



### SIMPLE, VISIBLE MARKING

- Easy to use, visible marking area whatever the position of the handle
- Clear, simple, indelible marking for easy identification of the product

### QUICK IDENTIFICATION OF THE FUNCTIONS

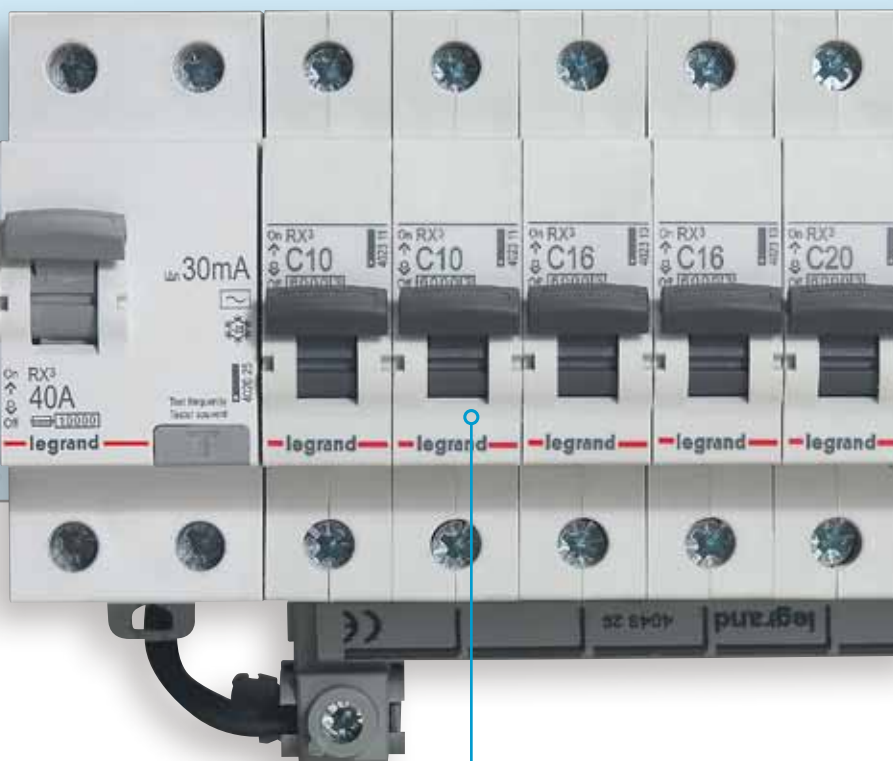
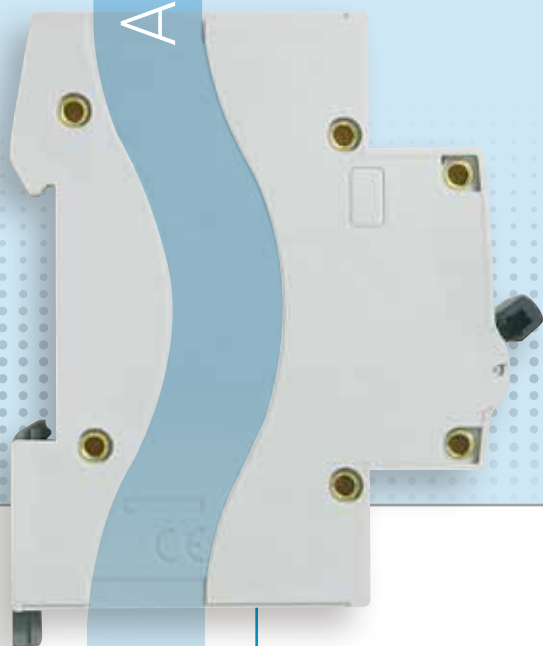
- 2 handle colours:
- Black for circuit breakers
  - Grey for RCDs

### BISTABLE CLIPS:

Easy positioning or removal of the product on its DIN rail



AIR FLOW



**AN ATTRACTIVE, WELL THOUGHT-OUT DESIGN FOR SAFETY AND COMFORT**

- A well-designed shape and careful choice of material for the devices enables air to circulate, limiting any temperature rise between each circuit breaker
- Neat, attractive finish for greater ease of use

**RX<sup>3</sup>** THE GUARANTEE OF A SAFE, RELIABLE RANGE

Long-lasting electrical endurance

**10,000 operations**

Use under extreme conditions

**-25°C to +70°C**

Optimum protection in the event of short-circuits

**Limitation class 3**

Quality guaranteed by international approvals



## MCBs RX<sup>3</sup> 4500

thermal magnetic MCBs from 6 A to 63 A  
C curves



4 021 55

4 021 90

Conform to IEC 60898-1  
Conform to standard SNI 04-6507.1-2002  
Do not accept auxiliaries, and add-on modules  
Breaking capacity:  
4500 - IEC 60898-1 - 230/400 V $\sim$   
4.5 kA - IEC 60947-2 - 230/400 V $\sim$

## RCDs RX<sup>3</sup>

residual current circuit breakers from 25 A to 80 A  
AC types



4 020 25

4 020 70

Conform to IEC 61008-1  
• AC type  $\sim$ : detect AC component faults

Pack	Cat.Nos	Single pole 230/400 V $\sim$	
	C curve	Nominal rating In (A)	Number of modules
10	4 021 52	6	1
10	4 021 53	10	1
10	4 021 55	16	1
10	4 021 56	20	1
10	4 021 57	25	1
10	4 021 58	32	1
10	4 021 59	40	1
10	4 021 60	50	1
10	4 021 61	63	1

Pack	Cat.Nos	2-pole 230/400 V $\sim$	
	C curve	Nominal rating In (A)	Number of modules
5	4 021 83	6	2
5	4 021 84	10	2
5	4 021 86	16	2
5	4 021 87	20	2
5	4 021 88	25	2
5	4 021 89	32	2
5	4 021 90	40	2
5	4 021 91	50	2
5	4 021 92	63	2

Pack	Cat.Nos	3-pole 400 V $\sim$	
	C curve	Nominal rating In (A)	Number of modules
1	4 021 94	6	3
1	4 021 95	10	3
1	4 021 97	16	3
1	4 021 98	20	3
1	4 021 99	25	3
1	4 022 00	32	3
1	4 022 01	40	3
1	4 022 02	50	3
1	4 022 03	63	3

Pack	Cat.Nos	RX <sup>3</sup> RCDs 2-pole - 230 V $\sim$	
		AC type $\sim$ 30 mA	Number of modules
		In (A)	
1	4 020 24	25	2
1	4 020 25	40	2
1	4 020 26	63	2
1	4 020 27	80	2
1	4 020 28	25	2
1	4 020 29	40	2
1	4 020 30	63	2
1	4 020 32	25	2
1	4 020 33	40	2
1	4 020 34	63	2

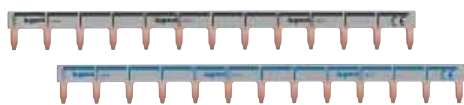
Pack	Cat.Nos	RX <sup>3</sup> RCDs 4-pole - 400 V $\sim$ neutral on right-hand side	
		AC type $\sim$ 30 mA	Number of modules
		In (A)	
1	4 020 62	25	4
1	4 020 63	40	4
1	4 020 64	63	4
1	4 020 66	25	4
1	4 020 67	40	4
1	4 020 68	63	4
1	4 020 70	25	4
1	4 020 71	40	4
1	4 020 72	63	4



**NEW**

## supply busbars, entry terminals

"standard" distribution



4 049 26



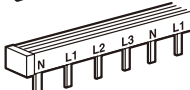
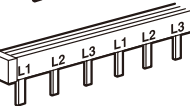
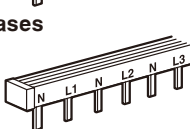
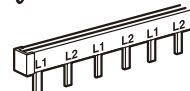
4 049 44



4 049 05

### Pack Cat.Nos Prong-type supply busbars

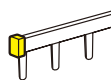
Pack	Cat.Nos	Length	Max. number of devices connected
20	4 049 26 <sup>1</sup>	1 row	13
		1 meter	57
50	4 049 38 <sup>1</sup>	1 row	6
		1 meter	28
3	4 049 40 <sup>1</sup>	1 row	6
		1 meter	28
40	4 049 42 <sup>1</sup>	1 row	4
		1 meter	19
30	4 049 44	1 row	3
		1 meter	14



### Protection

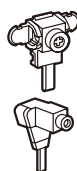
20 4 049 88 **Protection of prongs**  
12 modules  
Can be cut to length

40 4 049 89 **Protection of supply busbar ends**  
For single pole/single pole + neutral  
20 4 049 90 For double pole length 1 m and triple pole  
20 4 049 91 For four-pole



### Entry terminals

20 4 049 05 For universal single pole + neutral or single pole supply busbars  
Cross section: 4 to 25 mm<sup>2</sup> - IP 2X  
20 4 049 06 For all supply busbars  
Cross section: 6 to 35 mm<sup>2</sup>



## supply busbars, entry terminals

"standard" distribution

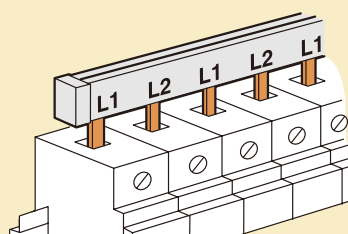
### Technical characteristics

	Busbars types	Max. number of devices connected	Length in number of 17.5 mm modules	Cross section (mm <sup>2</sup> )	Permissible current: 1 central power supply point	2 power supply point
Single pole or Single pole + neutral	1 row	13	13	16 <sup>2</sup>	80	100
	Meter	57	57			
Double pole	1 row	6	12	10 <sup>2</sup>	63	90
	Meter	28	56			
Double pole balanced on 3-phases	1 row	6	12	10 <sup>2</sup>	63	90
	Meter	28	56			
Triple pole	1 row	4	12	10 <sup>2</sup>	63	90
	Meter	19	57			
Four pole	1 row	3	12	10 <sup>2</sup>	63	90
	Meter	14	56			

### Use of supply busbars

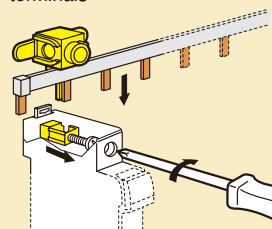
#### Universal single phase + neutral

- blue for neutral
- black for live

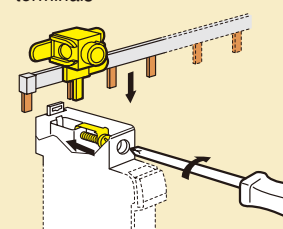


#### Entry terminal

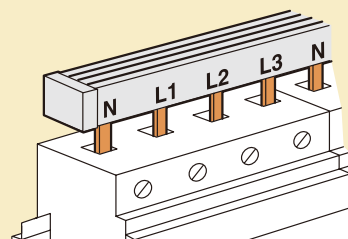
Power supply at the rear of the busbar  
For all devices with moving cage terminals



Power supply at the front of the busbar  
For all devices with fixed cage terminals



#### Four pole busbar



1: Filled with end protection

## flush-mounting cabinets Practibox™

6 to 36 modules



6 011 11

6 011 14

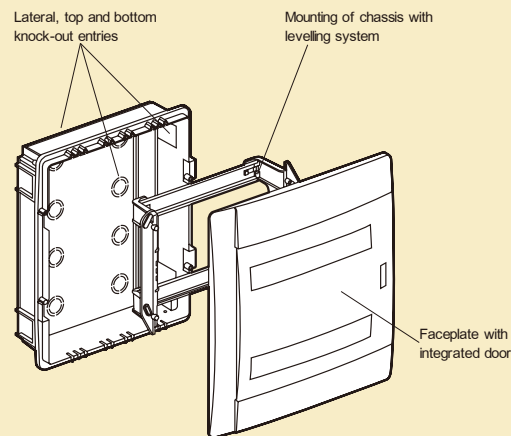
IP 40 - IK 07 with door  
 Class II  
 Conform to standard IEC 439  
 Reversible faceplate  
 Box for masonry  
 White RAL 9003  
 Supplied without terminal block

Pack	Cat.Nos	Terminal shield boxes
1/12	6 011 10	To be equipt with terminal blocks cat. no 6 012 90
1/12	6 011 11	1 row of 6 modules
1/6	6 011 12	1 row of 8 modules
1/5	6 011 13	1 row of 12 modules
1/5	6 011 13	2 rows of 12 modules
1/3	6 011 14	3 rows of 12 modules

		Accessories
20	0 016 60	<b>Blanking plate</b> Separable into modules or 1/2 modules 5 modules - white
10	6 012 90	<b>Terminal blocks</b> Neutral and earth - 2 x 8 holes
1	0 019 66	<b>Key lock</b> Only for 2 and 3 rows distribution cabinets N° 850

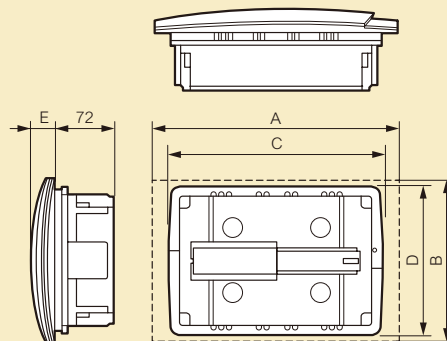
## flush-mounting cabinets Practibox™

6 to 36 modules



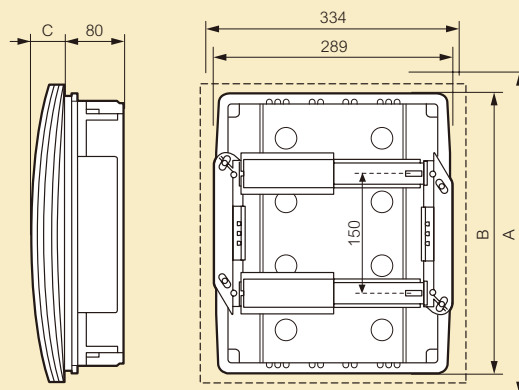
### ■ Dimensions

#### Cabinets 6,8 and 12 modules



	Number of modules		
	6 mod.	8 mod.	12 mod.
<b>A</b>	230	266	334
<b>B</b>	186	188	225
<b>C</b>	208	244	287
<b>D</b>	180	180	208
<b>E</b>	27	27	31

#### Cabinets 24 and 36 modules



	Number of modules	
	24 mod.	36 mod.
<b>A</b>	376	526
<b>B</b>	358	508
<b>C</b>	40	42











FOLLOW US  
ALSO ON

@ [www.legrand.com](http://www.legrand.com)

 [www.youtube.com/legrand](http://www.youtube.com/legrand)

 [twitter.com/@legrand](https://twitter.com/@legrand)

# **PT. Intraco Indonesia**

Ruko Mahkota Ancol Blok C/50  
Jl. R. E. Martadinata  
Kel. Pademangan Barat, Kec. Pademangan  
Jakarta Utara 14420 INDONESIA

Telp. : +62 21 64717528  
          : +62 21 64717529  
Fax. : +62 21 64717530  
E-mail : [info@intracoindonesia.co.id](mailto:info@intracoindonesia.co.id)



**World Headquarters**  
and International Department  
87045 Limoges Cedex - France  
Tel. : + 33 (0) 5 55 06 87 87  
Fax : + 33 (0) 5 55 06 74 55

**Authorized Distributor Of  legrand® : PT. Intraco Indonesia**