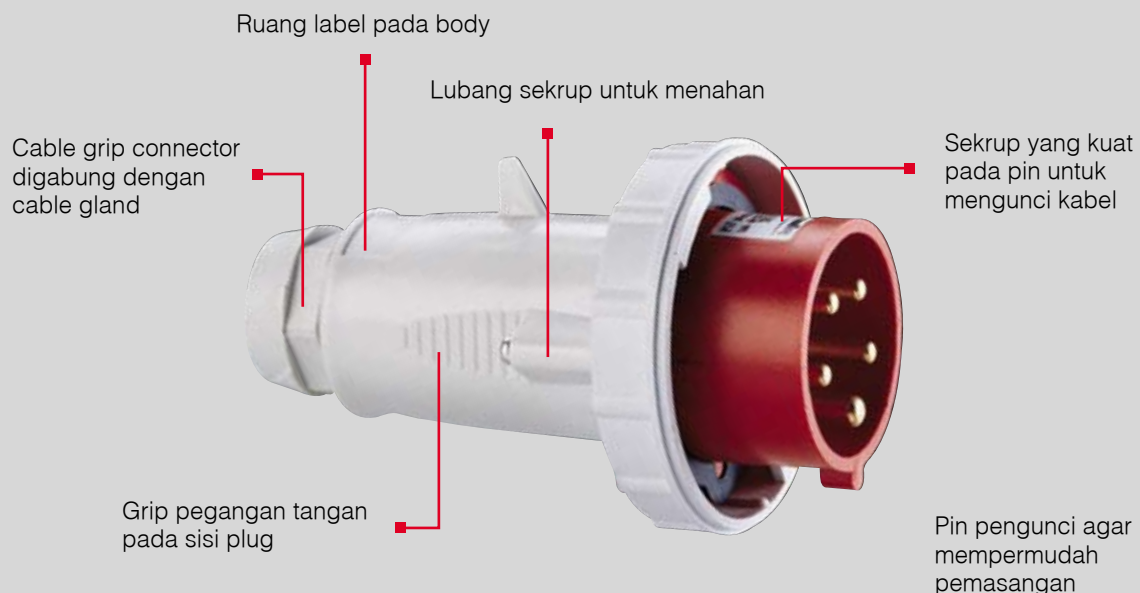
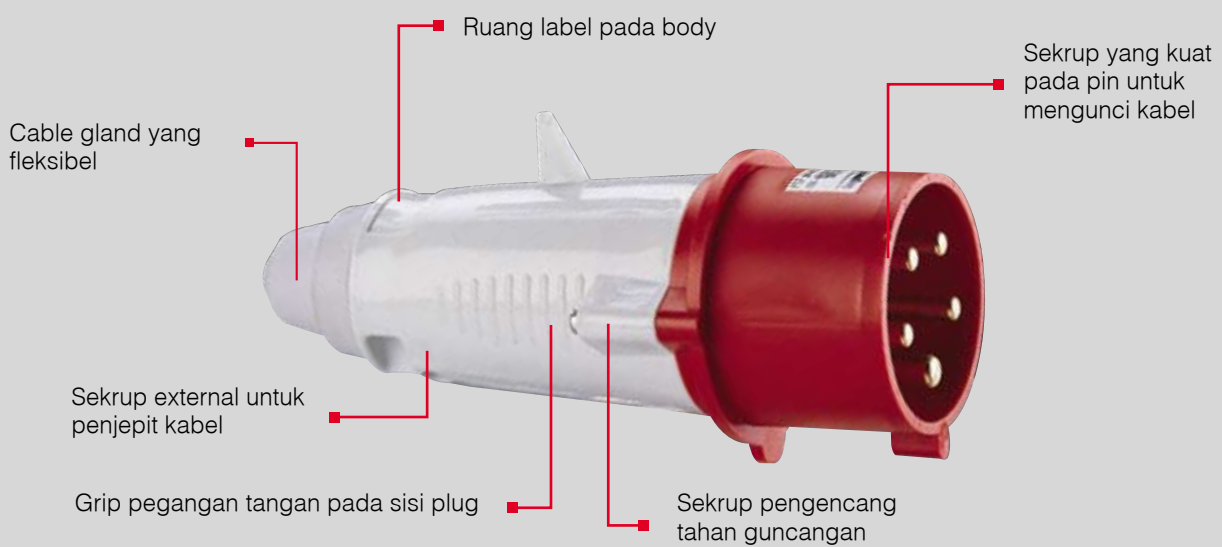


P17 Tempra : Kualitas terbukti





■ Surface mounting socket: mudah dalam instalasi pemasangan dan komponen internal dapat dilepas



■ Range baru combined unit, socket dengan standar dan dapat digunakan dengan mekanism Mosaic

P 17 Tempra IP 44 - 16 / 32 A Plug dan soket industri

| | | | Panel mounting socket | | Surface mounting socket | | Plug | | Mobile socket | |
|---------------------------|-----|--------|-----------------------|----------|-------------------------|----------|------|----------|---------------|----------|
| | | | Pak. | No. Kat. | Pak. | No. Kat. | Pak. | No. Kat. | Pak. | No. Kat. |
| 200 / 250 V 50 - 60 Hz | 16A | 2P+E | 10 | 573 64 | 10 | 553 53 | 10 | 574 24 | 10 | 575 04 |
| | 32A | 2P+E | 10 | 576 12 | 5 | 553 73 | 10 | 581 24 | 10 | 582 04 |
| 380 / 415 V 50 - 60 Hz | 16A | 3P+E | 10 | 573 68 | 10 | 553 57 | 10 | 574 28 | 10 | 575 08 |
| | | 3P+N+E | 10 | 573 69 | 10 | 553 58 | 10 | 574 29 | 10 | 575 09 |
| | 32A | 3P+E | 10 | 576 18 | 10 | 553 77 | 10 | 581 28 | 10 | 582 08 |
| | | 3P+N+E | 10 | 576 24 | 10 | 553 78 | 10 | 581 29 | 10 | 582 09 |

P 17 Tempra IP 67 16 / 32 / 63 A Plug dan soket industri

| | | | Panel mounting socket | | Surface mounting socket | | Plug | | Mobile socket | |
|-------------|------|--------|-----------------------|----------|-------------------------|----------|--------|----------|---------------|----------|
| | | | Pak. | No. Kat. | Pak. | No. Kat. | Pak. | No. Kat. | Pak. | No. Kat. |
| 200 / 250 V | 16A | 2P+E | 10 | 559 03 | 5 | 553 03 | 5 | 563 03 | 5 | 562 03 |
| | 32A | 2P+E | 5 | 576 52 | 5 | 553 23 | 5 | 563 23 | 5 | 562 23 |
| | 63A | 2P+E | 2 | 587 20 | 2 | 587 40 | 2 | 587 00 | 2 | 587 10 |
| 380 / 415 V | 16A | 3P+E | 5 | 559 07 | 5 | 553 07 | 5 | 563 07 | 5 | 562 07 |
| | | 3P+N+E | 5 | 559 08 | 5 | 553 08 | 5 | 563 08 | 5 | 562 08 |
| | 32A | 3P+E | 5 | 576 58 | 5 | 553 27 | 5 | 563 27 | 5 | 562 27 |
| | | 3P+N+E | 5 | 576 64 | 5 | 553 28 | 5 | 563 28 | 5 | 562 28 |
| | 63A | 3P+E | 2 | 587 24 | 2 | 587 44 | 2 | 587 04 | 2 | 587 14 |
| | | 3P+N+E | 2 | 587 25 | 2 | 587 45 | 2 | 587 05 | 2 | 587 15 |
| | 125A | 3P + E | 1 | 591 16 | 1 | 591 06 | 1 | 591 26 | 1 | 591 36 |
| 3P+N+E | | 1 | 591 17 | 1 | 591 07 | 1 | 591 27 | 1 | 591 37 | |

Hypra - IP 67 125A

| | | | | | | | | | | |
|-------------|------|--------|---|--------|---|--------|---|--------|---|--------|
| 380 / 415 V | 125A | 3P+E | 1 | 591 12 | 1 | 591 02 | 1 | 591 22 | 1 | 591 32 |
| | | 3P+N+E | 1 | 591 13 | 1 | 591 03 | 1 | 591 23 | 1 | 591 33 |

P 17 Tempra IP 44 - 16 A & 32A

Plug dan soket industri



573 64



553 57



576 12



553 78



574 24



575 04



581 28



582 09

Terminal connection:

Soket

- 16 A: max. 1 x 4 mm² rigid
- 32 A: max. 1 x 10 mm² rigid

Plug dan mobile soket:

- 16 A: max. 1 x 2,5 mm² flexible
- 32 A: max. 1 x 6 mm² flexible

IK 09 sesuai dengan IEC/EN 62262

Bahan: plastik

Padam sendiri: 850 °C

Ketahanan suhu - 50 °C to + 100 °C

480 sampai dengan 500 V~ plug dan mobile socket

| Pak | No. Kat. | IP 44 - 16A |
|-----|----------|---|
| | | Panel mounting socket, inclined outlet |
| 10 | 573 64 | 200/250V 2P + E |
| 10 | 573 68 | 380/415V 3P + E |
| 10 | 573 69 | 3P + N + E |

| Pak | No. Kat. | IP 44 - 16A |
|-----|----------|--------------------------------|
| | | Surface mounting socket |
| 10 | 553 53 | 200/250V 2P + E |
| 10 | 553 57 | 380/415V 3P + E |
| 10 | 553 58 | 3P + N + E |

| Pak | No. Kat. | IP 44 - 16A |
|-----|----------|--------------------|
| | | Plug |
| 10 | 574 24 | 200/250V 2P + E |
| 10 | 574 28 | 380/415V 3P + E |
| 10 | 574 29 | 3P + N + E |

| Pak | No. Kat. | IP 44 - 16A |
|-----|----------|----------------------|
| | | Mobile socket |
| 10 | 575 04 | 200/250V 2P + E |
| 10 | 575 08 | 380/415V 3P + E |
| 10 | 575 09 | 3P + N + E |

| Pak | No. Kat. | IP 44 - 32A |
|-----|----------|------------------------------|
| | | Panel mounting socket |
| 10 | 576 12 | 200/250V 2P + E |
| 10 | 576 18 | 380/415V 3P + E |
| 10 | 576 24 | 3P + N + E |

| Pak | No. Kat. | IP 44 - 32A |
|-----|----------|--------------------------------|
| | | Surface mounting socket |
| 5 | 553 73 | 200/250V 2P + E |
| 10 | 553 77 | 380/415V 3P + E |
| 10 | 553 78 | 3P + N + E |

| Pak | No. Kat. | IP 44 - 32A |
|-----|----------|--------------------|
| | | Plug |
| 10 | 581 24 | 200/250V 2P + E |
| 10 | 581 28 | 380/415V 3P + E |
| 10 | 581 29 | 3P + N + E |

| Pak | No. Kat. | IP 44 - 32A |
|-----|----------|----------------------|
| | | Mobile socket |
| 10 | 582 04 | 200/250V 2P + E |
| 10 | 582 08 | 380/415V 3P + E |
| 10 | 582 09 | 3P + N + E |

P 17 Tempra IP 67 - 16 A & 32A

Plug dan soket industri



553 07



563 07



576 58



562 27

Terminal connection:

Soket

- 16 A: max. 1 x 4 mm² rigid
- 32 A: max. 1 x 10 mm² rigid

Plug and mobile socket:

- 16 A: max. 1 x 2,5 mm² flexible
- 32 A: max. 1 x 6 mm² flexible

IK 09 sesuai dengan IEC/EN 62262

Bahan: plastik

Padam sendiri: 850 °C

Ketahanan suhu: - 50 °C to + 100 °C

Sesuai dengan standar IEC 60309-1-2

| Pak | No. Kat. | IP 67 - 16A | |
|-----|----------|------------------------------|--|
| | | Panel mounting socket | |
| 10 | 559 03 | 200/250V 2P + E | |
| 5 | 559 07 | 380/415V 3P + E | |
| 5 | 559 08 | 3P + N + E | |

| Pak | No. Kat. | IP 67 - 16A | |
|-----|----------|--------------------------------|--|
| | | Surface mounting socket | |
| 5 | 553 03 | 200/250V 2P + E | |
| 5 | 553 07 | 380/415V 3P + E | |
| 5 | 553 08 | 3P + N + E | |

| Pak | No. Kat. | IP 67 - 16A | |
|-----|----------|--------------------|--|
| | | Plug | |
| 5 | 563 03 | 200/250V 2P + E | |
| 5 | 563 07 | 380/415V 3P + E | |
| 5 | 563 08 | 3P + N + E | |

| Pak | No. Kat. | IP 67 - 16A | |
|-----|----------|----------------------|--|
| | | Mobile socket | |
| 5 | 562 03 | 200/250V 2P + E | |
| 5 | 562 07 | 380/415V 3P + E | |
| 5 | 562 08 | 3P + N + E | |

| Pak | No. Kat. | IP 67 - 32A | |
|-----|----------|------------------------------|--|
| | | Panel mounting socket | |
| 5 | 576 52 | 200/250V 2P + E | |
| 5 | 576 58 | 380/415V 3P + E | |
| 5 | 576 64 | 3P + N + E | |

| Pak | No. Kat. | IP 67 - 32A | |
|-----|----------|--------------------------------|--|
| | | Surface mounting socket | |
| 5 | 553 23 | 200/250V 2P + E | |
| 5 | 553 27 | 380/415V 3P + E | |
| 5 | 553 28 | 3P + N + E | |

| Pak | No. Kat. | IP 67 - 32A | |
|-----|----------|--------------------|--|
| | | Plug | |
| 5 | 563 23 | 200/250V 2P + E | |
| 5 | 563 27 | 380/415V 3P + E | |
| 5 | 563 28 | 3P + N + E | |

| Pak | No. Kat. | IP 67 - 32A | |
|-----|----------|----------------------|--|
| | | Mobile socket | |
| 5 | 562 23 | 200/250V 2P + E | |
| 5 | 562 27 | 380/415V 3P + E | |
| 5 | 562 28 | 3P + N + E | |

P 17 Tempra IP 67 - 63 A & 125A

Plug dan soket industri



587 24



587 05



587 14

Terminal connection: 63 A

Soket: max. 1 x 25 mm² rigid

Plug and mobile soket: max. 1 x 16 mm² flexible 125 A

Soket: max. 1 x 70 mm² rigid

Plug and mobile soket: max. 1 x 50 mm² flexible

IK 09 sesuai dengan IEC/EN 62262

Bahan: plastic

Padam sendiri : 850 °C

Ketahanan suhu: - 50 °C to + 100 °C

Sesuai dengan standar IEC 60309-1-2

| Pak | No. Kat. | IP 67 - 63A |
|-----|----------|------------------------------|
| | | Panel mounting socket |
| | | 200/250V |
| 2 | 587 20 | 2P + E |
| | | 380/415V |
| 2 | 587 24 | 3P + E |
| 2 | 587 25 | 3P + N + E |

| Pak | No. Kat. | IP 67 - 63A |
|-----|----------|--------------------------------|
| | | Surface mounting socket |
| | | 200/250V |
| 2 | 587 40 | 2P + E |
| | | 380/415V |
| 2 | 587 44 | 3P + E |
| 2 | 587 45 | 3P + N + E |

| Pak | No. Kat. | IP 67 - 63A |
|-----|----------|-------------|
| | | Plug |
| | | 200/250V |
| 2 | 587 00 | 2P + E |
| | | 380/415V |
| 2 | 587 04 | 3P + E |
| 2 | 587 05 | 3P + N + E |

| Pak | No. Kat. | IP 67 - 63A |
|-----|----------|----------------------|
| | | Mobile socket |
| | | 200/250V |
| 2 | 587 10 | 2P + E |
| | | 380/415V |
| 2 | 587 14 | 3P + E |
| 2 | 587 15 | 3P + N + E |

| Pak | No. Kat. | IP 67 - 125A |
|-----|----------|------------------------------|
| | | Panel mounting socket |
| | | 380/415 V |
| 1 | 591 16 | 3 P + E |
| 1 | 591 17 | 3 P + N + E |

| Pak | No. Kat. | IP 67 - 125A |
|-----|----------|--------------------------------|
| | | Surface mounting socket |
| | | 380/415 V |
| 1 | 591 06 | 3 P + E |
| 1 | 591 07 | 3 P + N + E |

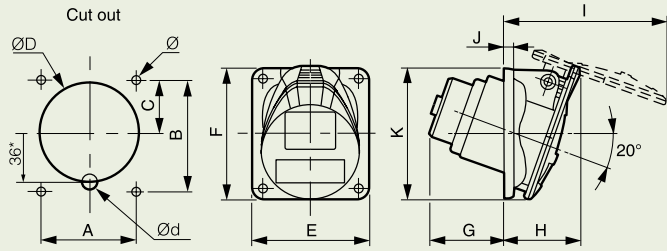
| Pak | No. Kat. | IP 67 - 125A |
|-----|----------|--------------|
| | | Plug |
| | | 380/415 V |
| 1 | 591 26 | 3 P + E |
| 1 | 591 27 | 3 P + N + E |

| Pak | No. Kat. | IP 67 - 125A |
|-----|----------|----------------------|
| | | Mobile socket |
| | | 380/415 V |
| 1 | 591 36 | 3 P + E |
| 1 | 591 37 | 3 P + N + E |

P 17 Tempra - plastik

IP 44 - LV 16 / 32 A

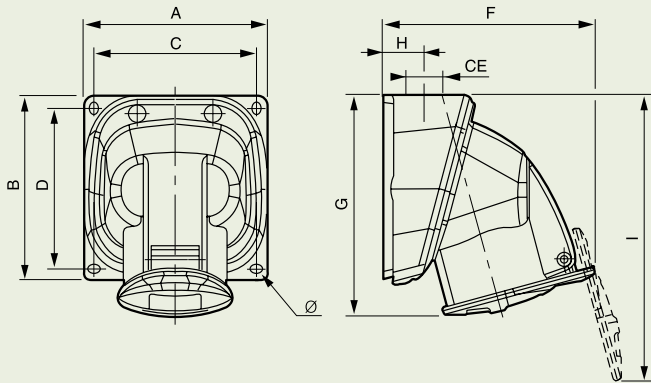
Panel mounting socket



| 16A | Bahan | Berat (kg) | A | B | C | Ø D | Ø d | E | F | G | H | I | J | K | Ø |
|-------------|---------|------------|----|----|----|------|------|----|----|----|------|------|-----|------|-----|
| 2 P+T | Plastik | 0,110 | 52 | 60 | 26 | 55 | 14,5 | 64 | 72 | 41 | 40,5 | 86,2 | 5,5 | 74 | 4,2 |
| 3 P+T | Plastik | 0,140 | 60 | 70 | 31 | 63,5 | 14,5 | 74 | 84 | 44 | 41 | 91,6 | 5,5 | 84,1 | 5,2 |
| 3 P+N+T | Plastik | 0,165 | 60 | 70 | 33 | 70,6 | 0 | 80 | 84 | 44 | 45,4 | 105 | 5,5 | 88,5 | 5,2 |
| 32 A | | | | | | | | | | | | | | | |
| 2 P+T | Plastik | 0,220 | 70 | 70 | 35 | 76,2 | - | 84 | 94 | 54 | 44 | 112 | 4,5 | - | 4,2 |
| 3 P+T | Plastik | 0,220 | 70 | 70 | 35 | 76,2 | - | 84 | 94 | 54 | 44 | 112 | 4,5 | - | 4,2 |
| 3 P+N+T | Plastik | 0,255 | 70 | 70 | 35 | 76,2 | 8 | 84 | 94 | 54 | 45 | 120 | 4,5 | - | 4,2 |

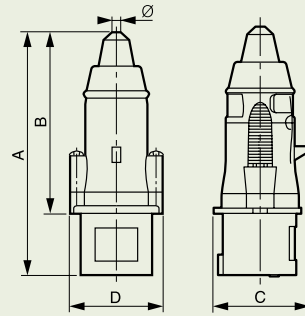
* Ukuran untuk 3 P + N + T

Surface mounting socket



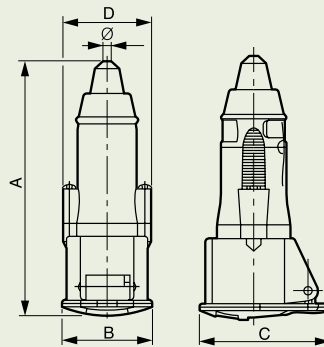
| 16A | Bahan | Berat (kg) | A | B | C | D | F | G | H | I | PE | Ø |
|-------------|---------|------------|-----|-----|----|----|-------|-------|----|-----|------|-----|
| 2 P+T | Plastik | 0,197 | 84 | 84 | 73 | 72 | 103 | 103,5 | 20 | 134 | M 20 | 4,3 |
| 3 P+T | Plastik | 0,262 | 100 | 100 | 88 | 87 | 115 | 120 | 24 | 156 | M 20 | 4,3 |
| 3 P+N+T | Plastik | 0,293 | 100 | 100 | 88 | 87 | 118,5 | 121 | 24 | 162 | M 20 | 4,3 |
| 32 A | | | | | | | | | | | | |
| 2 P+T | Plastik | 0,369 | 110 | 110 | 98 | 97 | 135 | 162 | 30 | 174 | M 25 | 5,3 |
| 3 P+N+T | Plastik | 0,414 | 110 | 110 | 98 | 97 | 137 | 162,5 | 30 | 178 | M 25 | 5,3 |

Straight Plug



| 16A | Bahan | Berat (kg) | A | B | C | D | Ø |
|-------------|---------|------------|-----|-----|----|------|------------|
| 2 P+T | Plastik | 0,122 | 147 | 111 | 57 | 55 | 8 to 15,5 |
| 3 P+T | Plastik | 0,150 | 154 | 118 | 65 | 60 | 8 to 15,5 |
| 3 P+N+T | Plastik | 0,177 | 164 | 128 | 73 | 66 | 8 to 15,5 |
| 32 A | | | | | | | |
| 2 P+T | Plastik | 0,217 | 179 | 134 | 78 | 70,5 | 11,5 to 22 |
| 3 P+T | Plastik | 0,234 | 179 | 134 | 78 | 70,5 | 11,5 to 22 |
| 3 P+N+T | Plastik | 0,276 | 189 | 144 | 86 | 77 | 11,5 to 22 |

Mobile socket



| 16A | Bahan | Berat (kg) | A | B | C | D | Ø |
|-------------|---------|------------|-------|------|------|------|------------|
| 2 P+T | Plastik | 0,150 | 155 | 55 | 78,5 | 55 | 8 to 15,5 |
| 3 P+T | Plastik | 0,179 | 162 | 61,5 | 85 | 60 | 8 to 15,5 |
| 3 P+N+T | Plastik | 0,212 | 170 | 69 | 93,5 | 66 | 8 to 15,5 |
| 32 A | | | | | | | |
| 2 P+T | Plastik | 0,240 | 189 | 69 | 97,5 | 70,5 | 11,5 to 22 |
| 3 P+T | Plastik | 0,265 | 191 | 71 | 97,5 | 70,5 | 11,5 to 22 |
| 3 P+N+T | Plastik | 0,305 | 197,9 | 77 | 124 | 77 | 11,5 to 22 |

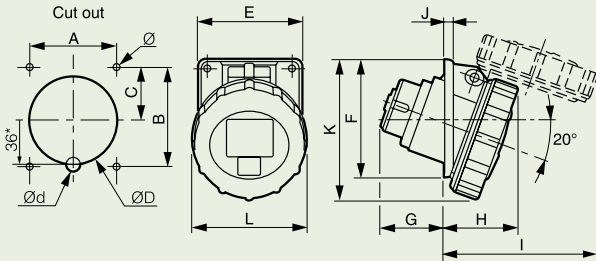
P 17 Tempra - plastik

plug dan soket industri IP 67

tegangannya rendah (LV) 16/32 A

IP 67 sesuai dengan standar IEC 60529 dan EN 60529
IK 09 sesuai dengan EN 50102

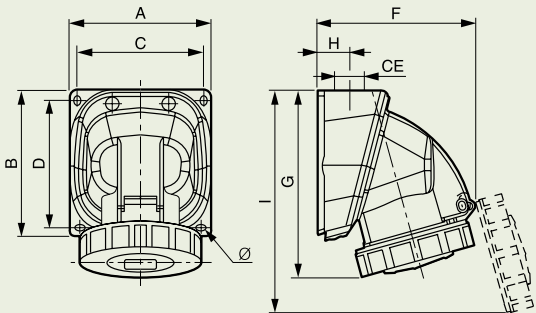
Panel mounting socket



| 16A | Bahan | Berat (kg) | A | B | C | Ø D | Ø d | E | F | G | H | I | J | K | L | Ø |
|-------------|---------|------------|----|----|----|------|-----|----|----|----|----|-----|-----|------|------|-----|
| 2 P+T | Plastik | 0,140 | 52 | 60 | 3 | 55 | 0 | 64 | 72 | 40 | 45 | 92 | 5,5 | 87 | 72,5 | 4,2 |
| 3 P+T | Plastik | 0,165 | 60 | 70 | 4 | 63,5 | 0 | 74 | 84 | 41 | 48 | 106 | 5,5 | 96 | 81 | 4,2 |
| 3 P+N+T | Plastik | 0,195 | 60 | 70 | 2 | 70,6 | 0 | 80 | 84 | 42 | 50 | 110 | 5,5 | 86,5 | 86,5 | 4,2 |
| 32 A | | | | | | | | | | | | | | | | |
| 2 P+T | Plastik | 0,240 | 70 | 70 | 35 | 76,2 | | 84 | 94 | 54 | 50 | 113 | 4,5 | 101 | 94,5 | 4,2 |
| 3 P+T | | | | | | | | | | | | | | | | |
| 3 P+N+T | Plastik | 0,270 | 70 | 70 | 35 | 76,2 | 8 | 84 | 94 | 54 | 51 | 120 | 4,5 | 103 | 101 | 4,2 |

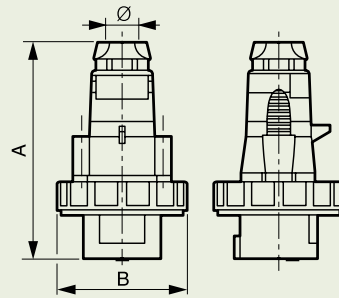
* Ukuran untuk 3 P + N + T

Surface mounting socket



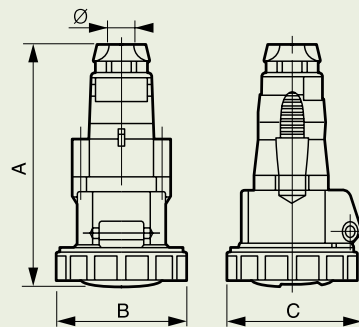
| 16A | Bahan | Berat (kg) | A | B | C | D | F | G | H | I | CE | Ø |
|-------------|---------|------------|-----|-----|----|----|-----|-------|-----|-----|------|-----|
| 2 P+T | Plastik | 0,230 | 84 | 84 | 73 | 72 | 94 | 112 | 20 | 130 | M 20 | 4,3 |
| 3 P+T | Plastik | 0,289 | 100 | 100 | 88 | 87 | 108 | 128 | 24 | 154 | M 20 | 4,3 |
| 3 P+N+T | Plastik | 0,317 | 100 | 100 | 88 | 87 | 110 | 129 | 24 | 157 | M 20 | 4,3 |
| 32 A | | | | | | | | | | | | |
| 2 P+T | Plastik | 0,425 | 110 | 110 | 98 | 97 | 126 | 146 | 118 | 175 | M 25 | 5,3 |
| 3 P+T | | | | | | | | | | | | |
| 3 P+N+T | Plastik | 0,467 | 110 | 110 | 98 | 97 | 136 | 170,5 | 30 | 205 | M 25 | 5,3 |

Straight Plug



| 16A | Bahan | Berat (kg) | A | B | Ø |
|-------------|---------|------------|-----|------|------------|
| 2 P+T | Plastik | 0,165 | 122 | 55 | 8 to 14 |
| 3 P+T | Plastik | 0,175 | 126 | 81 | 8 to 14 |
| 3 P+N+T | Plastik | 0,218 | 142 | 86,5 | 10 to 17,5 |
| 32 A | | | | | |
| 2 P+T | Plastik | 0,255 | 152 | 94,5 | 10 to 17,5 |
| 3 P+T | Plastik | 0,276 | 152 | 94,5 | 12 to 21,5 |
| 3 P+N+T | Plastik | 0,325 | 158 | 101 | 12 to 21,5 |

Mobile socket

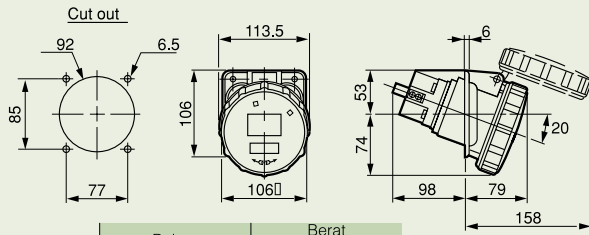


| 16A | Bahan | Berat (kg) | A | B | C | Ø |
|-------------|---------|------------|-----|------|------|------------|
| 2 P+T | Plastik | 0,180 | 139 | 72,5 | 78,5 | 8 to 14 |
| 3 P+T | Plastik | 0,215 | 144 | 81 | 89,5 | 8 to 14 |
| 3 P+N+T | Plastik | 0,275 | 160 | 86,5 | 92 | 10 to 17,5 |
| 32 A | | | | | | |
| 2 P+T | Plastik | 0,320 | 171 | 94,5 | 103 | 10 to 17,5 |
| 3 P+T | Plastik | 0,320 | 171 | 94,5 | 103 | 12 to 21,5 |
| 3 P+N+T | Plastik | 0,387 | 171 | 101 | 109 | 12 to 21,5 |

P 17 Tempra IP 66/67 - LV 63A

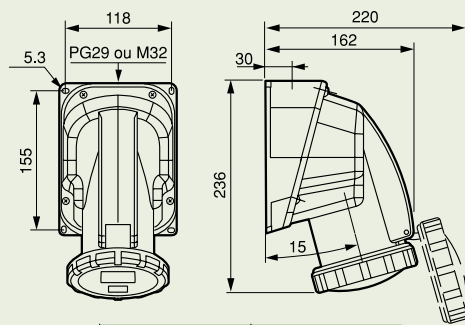
IP 67 sesuai dengan standar IEC 60529 et EN 60529
Sockets IK 09 sesuai dengan EN 50102

Panel mounting socket



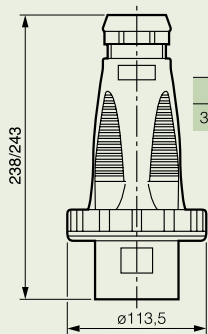
| | Bahan | Berat (kg) |
|--------|---------|------------|
| 3 P+ | Plastik | 0,71 |
| 3 P+N+ | Plastik | 0,77 |

Surface mounting socket



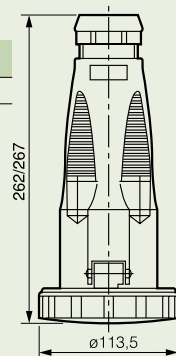
| | Bahan | Berat (kg) |
|---------|---------|------------|
| 3 P+T | Plastik | 0,90 |
| 3 P+N+T | Plastik | 0,95 |

Straight Plugs



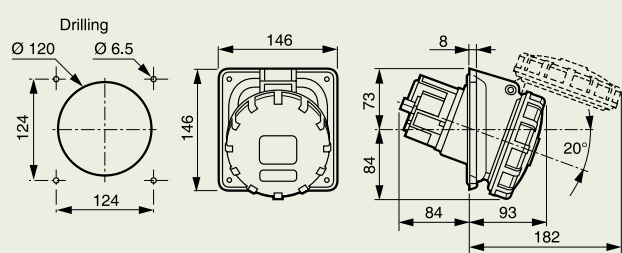
| | ϕ | Berat (kg) | |
|---------|--------------|----------------|----------------|
| | | Straight plugs | Mobile Sockets |
| 3 P+T | 19,3 to 26,5 | 0,57 | 0,78 |
| 3 P+N+T | 21,3 to 31,3 | 0,64 | 0,85 |

Mobile sockets



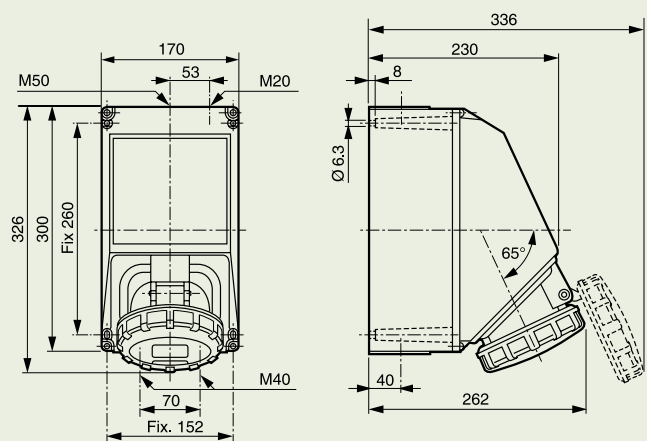
P 17 Tempra IP 66/67 - LV 125A

Panel mounting socket



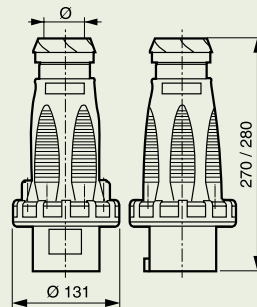
| | Berat (kg) |
|---------------------|------------|
| 3 P+ \downarrow | 1 |
| 3 P+N+ \downarrow | 1,2 |

Surface mounting socket



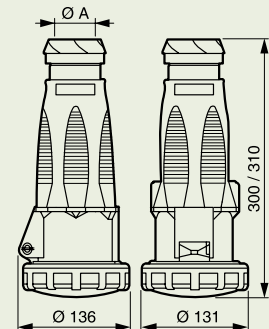
| | Berat (kg) |
|---------------------|------------|
| 3 P+ \downarrow | 2,6 |
| 3 P+N+ \downarrow | 2,73 |

Straight Plugs



| | Berat (kg) | ϕ |
|---------------------|------------|------------|
| 3 P+ \downarrow | 1,1 | 26 to 43 |
| 3 P+N+ \downarrow | 1,22 | 28,5 to 50 |

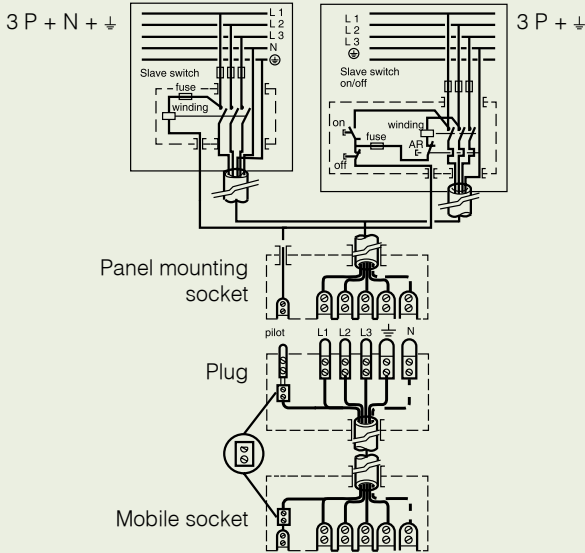
Mobile sockets



| | Berat (kg) | ϕA |
|---------------------|------------|------------|
| 3 P+ \downarrow | 1,1 | 26 to 43 |
| 3 P+N+ \downarrow | 1,22 | 28,5 to 50 |

P 17 Tempra IP 66/67 - LV 125A

Wiring diagram with pilot circuits for P 17 Tempra 63A & 125 A



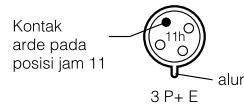
P 17 Tempra IP 67 - LV 16/32/63A

P 17 Tempra

Posisi pin sesuai dengan standar IEC 309 - 2; tingkat tegangan listrik ditandai dengan warna dan setiap polaritas mempunyai indeks searah jarum jam.

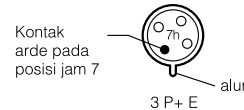
LV : Ditunjukkan dengan posisi soket pin arde yang dihubungkan ke alur di dasarnya

440 V ~ - 60 Hz - Merah



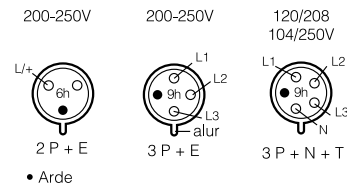
- Konfigurasi khusus kontainer

480 V ~ - 50 - 60 Hz - Hitam



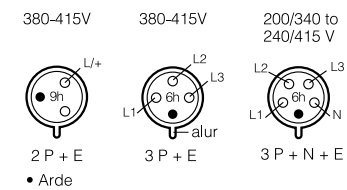
- Arde

230 V ~ - 50 - 60 Hz - Biru



- Arde

400 V ~ - 50 - 60 Hz - Merah



- Arde

P 17 Tempra

Plug dan soket industri IP 44
sesuai dengan I.E.C 309

Surface mounting sockets and plugs

16 A - 2P + E, 200 / 250 V, IP 44

| | |
|--------|--------|
| Socket | 553 53 |
| Plug | 574 24 |

16 A - 3P + E, 380 / 415 V, IP 44

| | |
|--------|--------|
| Socket | 553 57 |
| Plug | 574 28 |

16 A - 3P + N + E, 380 / 415 V, IP 44

| | |
|--------|--------|
| Socket | 553 58 |
| Plug | 574 29 |

32 A - 2P + E, 200 / 250 V, IP 44

| | |
|--------|--------|
| Socket | 553 73 |
| Plug | 581 24 |

32 A - 3P + E, 380 / 415 V, IP 44

| | |
|--------|--------|
| Socket | 553 77 |
| plug | 581 28 |

32 A - 3P + N + E, 380 / 415 V, IP 44

| | |
|--------|--------|
| Socket | 553 78 |
| Plug | 581 29 |

Panel mounting sockets and plugs

16 A - 2P + E, 200 / 250 V, IP 44

| | |
|--------|--------|
| Socket | 573 64 |
| Plug | 574 24 |

16 A - 3P + E, 380 / 415 V, IP 44

| | |
|--------|--------|
| Socket | 573 68 |
| Plug | 574 28 |

16 A - 3P + N + E, 380 / 415 V, IP 44

| | |
|--------|--------|
| Socket | 573 69 |
| Plug | 574 29 |

32 A - 2P + E, 200 / 250 V, IP 44

| | |
|--------|--------|
| Socket | 576 12 |
| Plug | 581 24 |

32 A - 3P + E, 380 / 415 V, IP 44

| | |
|--------|--------|
| Socket | 576 18 |
| plug | 581 28 |

32 A - 3P + N + E, 380 / 415 V, IP 44

| | |
|--------|--------|
| Socket | 576 24 |
| Plug | 581 29 |

Mobile socket and plugs

16 A - 2P + E, 200 / 250 V, IP 44

| | |
|--------|--------|
| Socket | 575 04 |
| Plug | 574 24 |

16 A - 3P + E, 380 / 415 V, IP 44

| | |
|--------|--------|
| Socket | 575 08 |
| Plug | 574 28 |

16 A - 3P + N + E, 380 / 415 V, IP 44

| | |
|--------|--------|
| Socket | 575 09 |
| Plug | 574 29 |

32 A - 2P + E, 200 / 250 V, IP 44

| | |
|--------|--------|
| Socket | 582 04 |
| Plug | 581 24 |

32 A - 3P + E, 380 / 415 V, IP 44

| | |
|--------|--------|
| Socket | 582 08 |
| plug | 581 28 |

32 A - 3P + N + E, 380 / 415 V, IP 44

| | |
|--------|--------|
| Socket | 582 09 |
| Plug | 581 29 |

Surface mounting sockets & cable gland

IP 44

| No. Kat. P17 | No. Kat. cable gland* | Cable gland ISO |
|--------------|-----------------------|-----------------|
| 553 53 | 980 03 | 20 |
| 553 57 | 980 03 | 20 |
| 553 58 | 980 03 | 20 |
| 553 73 | 980 05 | 25 |
| 553 77 | 980 05 | 25 |
| 553 78 | 980 05 | 25 |

IP 67

| No. Kat. P17 | No. Kat. cable gland* | Cable gland ISO |
|--------------|-----------------------|-----------------|
| 553 03 | 98003 | 20 |
| 553 07 | 98003 | 20 |
| 553 08 | 98003 | 20 |
| 553 23 | 98005 | 25 |
| 553 27 | 98005 | 25 |
| 553 28 | 98005 | 25 |
| 587 40 | 98006 | 32 |
| 587 44 | 98006 | 32 |
| 587 45 | 98006 | 32 |
| 591 06 | 98008 | 50 |
| 591 07 | 98008 | 50 |

* Cable gland tidak display

P 17 Tempra

Plug dan soket industri IP 67
sesuai dengan I.E.C 309

Surface mounting socket and plugs

16 A - 2P + E, 200 / 250 V, IP 67

| | |
|--------|--------|
| Socket | 553 03 |
| Plug | 563 03 |

16 A - 3P + E, 380 / 415 V, IP 67

| | |
|--------|--------|
| Socket | 553 07 |
| Plug | 563 07 |

16 A - 3P + N + E, 380 / 415 V, IP 67

| | |
|--------|--------|
| Socket | 553 08 |
| Plug | 563 08 |

32 A - 2P + E, 200 / 250 V, IP 67

| | |
|--------|--------|
| Socket | 553 23 |
| Plug | 563 23 |

32 A - 3P + E, 380 / 415 V, IP 67

| | |
|--------|--------|
| Socket | 553 27 |
| plug | 563 27 |

32 A - 3P + N + E, 380 / 415 V, IP 67

| | |
|--------|--------|
| Socket | 553 28 |
| Plug | 563 28 |

63 A - 2P + E, 200 / 250 V, IP 67

| | |
|--------|--------|
| Socket | 587 40 |
| Plug | 587 00 |

63 A - 3P + E, 380 / 415 V, IP 67

| | |
|--------|--------|
| Socket | 587 44 |
| Plug | 587 04 |

63 A - 3P + N + E, 380 / 415 V, IP 67

| | |
|--------|--------|
| Socket | 587 45 |
| Plug | 587 05 |

125 A - 3P + N, 380 / 415 V, IP 67

| | |
|--------|--------|
| Socket | 591 06 |
| Plug | 591 26 |

125 A - 3P + N + E, 380 / 415 V, IP 67

| | |
|--------|--------|
| Socket | 591 07 |
| Plug | 591 27 |

Panel mounting socket and plugs

16 A - 2P + E, 200 / 250 V, IP 67

| | |
|--------|--------|
| Socket | 559 03 |
| Plug | 563 03 |

16 A - 3P + E, 380 / 415 V, IP 67

| | |
|--------|--------|
| Socket | 559 07 |
| Plug | 563 07 |

16 A - 3P + N + E, 380 / 415 V, IP 67

| | |
|--------|--------|
| Socket | 559 08 |
| Plug | 563 08 |

32 A - 2P + E, 200 / 250 V, IP 67

| | |
|--------|--------|
| Socket | 576 52 |
| Plug | 563 23 |

32 A - 3P + E, 380 / 415 V, IP 67

| | |
|--------|--------|
| Socket | 576 58 |
| plug | 563 27 |

32 A - 3P + N + E, 380 / 415 V, IP 67

| | |
|--------|--------|
| Socket | 576 64 |
| Plug | 563 28 |

63 A - 2P + E, 200 / 250 V, IP 67

| | |
|--------|--------|
| Socket | 587 20 |
| Plug | 587 00 |

63 A - 3P + E, 380 / 415 V, IP 67

| | |
|--------|--------|
| Socket | 587 24 |
| Plug | 587 04 |

63 A - 3P + N + E, 380 / 415 V, IP 67

| | |
|--------|--------|
| Socket | 587 25 |
| Plug | 587 05 |

125 A - 3P + N, 380 / 415 V, IP 67

| | |
|--------|--------|
| Socket | 591 16 |
| Plug | 591 26 |

125 A - 3P + N + E, 380 / 415 V, IP 67

| | |
|--------|--------|
| Socket | 591 17 |
| Plug | 591 27 |

Mobile socket and plugs

16 A - 2P + E, 200 / 250 V, IP 67

| | |
|--------|--------|
| Socket | 562 03 |
| Plug | 563 03 |

16 A - 3P + E, 380 / 415 V, IP 67

| | |
|--------|--------|
| Socket | 562 07 |
| Plug | 563 07 |

16 A - 3P + N + E, 380 / 415 V, IP 67

| | |
|--------|--------|
| Socket | 562 08 |
| Plug | 563 08 |

32 A - 2P + E, 200 / 250 V, IP 67

| | |
|--------|--------|
| Socket | 562 23 |
| Plug | 563 23 |

32 A - 3P + E, 380 / 415 V, IP 67

| | |
|--------|--------|
| Socket | 562 27 |
| plug | 563 27 |

32 A - 3P + N + E, 380 / 415 V, IP 67

| | |
|--------|--------|
| Socket | 562 28 |
| Plug | 563 28 |

63 A - 2P + E, 200 / 250 V, IP 67

| | |
|--------|--------|
| Socket | 587 10 |
| Plug | 587 00 |

63 A - 3P + E, 380 / 415 V, IP 67

| | |
|--------|--------|
| Socket | 587 14 |
| Plug | 587 04 |

63 A - 3P + N + E, 380 / 415 V, IP 67

| | |
|--------|--------|
| Socket | 587 15 |
| Plug | 587 05 |

125 A - 3P + N, 380 / 415 V, IP 67

| | |
|--------|--------|
| Socket | 591 36 |
| Plug | 591 26 |

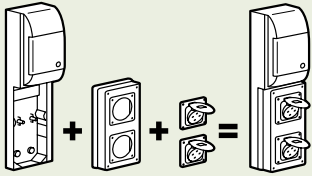
125 A - 3P + N + E, 380 / 415 V, IP 67

| | |
|--------|--------|
| Socket | 591 37 |
| Plug | 591 27 |

P 17 Tempra combined unit

BASE UNTUK 125 X 280 MM FACEPLATE

Kapasitas maximum :



- IK 08 sesuai dengan IEC 62262
- Padam sendiri pada 750°C sesuai dengan standar IEC 60695-2-1
- Katahanan suhu : - 15°C to + 40°C
- Pintu kaca: IP 55

Sampai 3 soket



Surface mounting boks

Sampai 3 soket



5 modul

Sampai 6 soket



12 modul

Sampai 9 soket



18 modul

| Pak | No. Kat. | Pak | No. Kat. | Pak | No. Kat. | Pak | No. Kat. |
|-----|----------|-----|----------|-----|----------|-----|----------|
| 3 | 577 11 | 1 | 577 20 | 1 | 577 03 | 1 | 577 04 |

LENGKAPI COMBINED UNIT ANDA DENGAN 125 X 280 MM FACEPLATE

SOKET DENGAN SATU FIXING CENTRE

- IK 08 sesuai dengan EN 50102
- Tahan sampai suhu : 850°C sesuai dengan standard IEC 60695-2-1

IP 44



IP 67



IP 55



| Pak | No. Kat. | Pak | No. Kat. | Pak | No. Kat. |
|-----|----------|-----|----------|-----|----------|
|-----|----------|-----|----------|-----|----------|

Adaptor untuk mekanism Mosaic

| LV | 200 s/d 250 V 50 / 60 Hz | | | | | | | | |
|----|-----------------------------|-------------|----|--------|---|--------|--|--|--|
| | 16 A | 2 P + E | 10 | 576 11 | 5 | 576 51 | | | |
| | 32 A | 2 P + E | 10 | 576 12 | 5 | 576 52 | | | |
| | 16 A | 3 P + E | 10 | 576 17 | 5 | 576 57 | | | |
| | 32 A | 3 P + N + E | 10 | 576 23 | 5 | 576 63 | | | |
| | 32 A | 3 P + E | 10 | 576 18 | 5 | 576 58 | | | |
| | 32 A | 3 P + N + E | 10 | 576 24 | 5 | 576 64 | | | |



- (1) disuplai dengan blanking plate
 (2) pemasangan vertikal untuk soket "domestic pin" (menjadi IP44)
 (3) kecuali mekanism tertentu

P 17 Tempra combined unit

| 125 x 280 MM FACEPLATE | | | | | | | | SOKET | | |
|---------------------------------------|--|-----------------|--|-----------------|---|-----------------|--------------------|-----------------|---|--|
| <p>Faceplate 125 x 280 mm</p> | <p>Untuk 2 x 16 A dan/ atau 32 A soket</p> | | <p>Untuk 1 x 16 A atau 32 A soket dan 1 x 63 A soket</p> | | <p>Untuk 3 x 16 A soket (pemasangan horizontal)⁽²⁾</p> | | <p>Plate polos</p> | | <p>LV IP 44 atau IP 66/67 soket</p> | |
| | <p>LV dan soket</p> | | | | | | | | <p>Adaptor untuk mechanism Mosaic⁽³⁾ No. kat. 539 48</p> | |
| | Pak | No. Kat. | Pak | No. Kat. | Pak | No. Kat. | Pak | No. Kat. | | |
| 4 | 577 18 ⁽¹⁾ | 2 | 577 19 ⁽¹⁾ | 4 | 577 14 ⁽¹⁾ | 4 | 577 16 | | | |

P 17 Tempra interlocked switched sockets

16 sampai 63 A

| 16-32 A | | | tanpa proteksi | | | | dengan rel Din kosong | | | |
|---|------|-------------|---|---|---|---|-----------------------|----------|-------|----------|
| <ul style="list-style-type: none"> • IK 08 sesuai dengan IEC 62262 • Padam sendiri pada : 750°C sesuai dengan standar IEC 60695-2-1 • Ketahanan suhu: - 15°C sampai + 40°C | | | 125 x 220 mm | | | | 125 x 280 mm | | | |
| | | | IP 44 | | IP 55 | | IP 44 | | IP 66 | |
| | | |  |  |  |  | | | | |
| | | | Pak | No. Kat. | Pak | No. Kat. | Pak | No. Kat. | Pak | No. Kat. |
| 200 sampai 250 V | 16 A | 2 P + E | 1 | 566 01 | 1 | 566 21 | 1 | 566 41 | 1 | 566 61 |
| 50/60 Hz | 32 A | 2 P + E | 1 | 566 09 | 1 | 566 29 | 1 | 566 49 | 1 | 566 69 |
| 380 sampai 415 V | 16 A | 3 P + E | 1 | 566 05 | 1 | 566 25 | 1 | 566 45 | 1 | 566 65 |
| | | 3 P + N + E | 1 | 566 06 | 1 | 566 26 | 1 | 566 46 | 1 | 566 66 |
| 50/60 Hz | 32 A | 3 P + E | 1 | 566 13 | 1 | 566 33 | 1 | 566 53 | 1 | 566 73 |
| | | 3 P + N + E | 1 | 566 14 | 1 | 566 34 | 1 | 566 54 | 1 | 566 74 |
| 63 A | | | tanpa proteksi | | | | dengan rel Din kosong | | | |
| <ul style="list-style-type: none"> • IK 08 sesuai dengan standar IEC 62262 • Padam sendiri pada : 750°C sesuai dengan standar IEC 60695-2-1 • Ketahanan suhu: - 15°C sampai + 40°C | | | IP 66 | | | | IP 66 | | | |
| | | |  |  | | | | | | |
| | | | Pak | No. Kat. | Pak | No. Kat. | | | | |
| 380 sampai 415 V | 63 A | 3 P + E | 1 | 572 98 | 1 | 589 18 | | | | |
| 50/60 Hz | | 3 P + N + E | 1 | 589 10 | 1 | 572 99 | | | | |

P 17 Tempra combined units

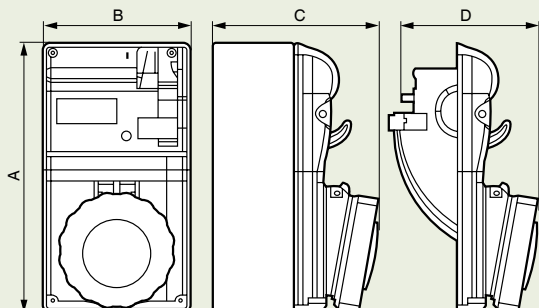
interlocked switched sockets

■ Pre-equipped interlocked switched sockets

IP 44, IP 55, IP 66 according to IEC/EN 60529

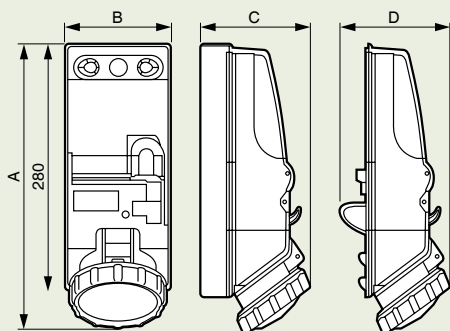
IK 08 according to IEC 62262

Without protection - LV 16/32 A



| | | IP 44 Cat. Nos | | | | IP 66 Cat. Nos | | | | | |
|------------|------------|-------------------|-----|-----|-----|-------------------|-----------|-----|-----|-----|-----|
| | | A | B | C | D | A | B | C | D | | |
| LV 16 A | 2P + ⊥ | 566 00/01 | 220 | 125 | 127 | 122 | 566 20/21 | 220 | 125 | 133 | 128 |
| | 3P + ⊥ | 566 05 | 220 | 125 | 129 | 124 | 566 25 | 220 | 125 | 134 | 129 |
| | 3P + N + ⊥ | 566 06 | 220 | 125 | 130 | 125 | 566 26 | 220 | 125 | 135 | 130 |
| LV 32 A | 2P + ⊥ | 566 09 | 220 | 125 | 138 | 133 | 566 29 | 220 | 125 | 143 | 138 |
| | 3P + ⊥ | 566 13 | 220 | 125 | 138 | 133 | 566 33 | 220 | 125 | 143 | 138 |
| | 3P + N + ⊥ | 566 14 | 220 | 125 | 139 | 134 | 566 34 | 220 | 125 | 144 | 139 |

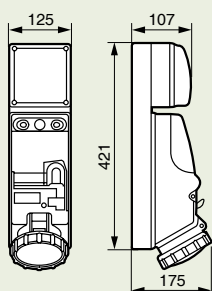
With empty Din rail - LV 16/32 A



| | | IP 44 Cat. Nos | | | | IP 66 Cat. Nos | | | | | |
|------------|------------|-------------------|-----|-----|-----|-------------------|-----------|-----|-----|-----|-----|
| | | A | B | C | D | A | B | C | D | | |
| LV 16 A | 2P + ⊥ | 566 40/41 | 290 | 125 | 155 | 135 | 566 60/61 | 300 | 125 | 155 | 135 |
| | 3P + ⊥ | 566 45 | 290 | 125 | 155 | 135 | 566 65 | 300 | 125 | 155 | 135 |
| | 3P + N + ⊥ | 566 46 | 290 | 125 | 155 | 135 | 566 66 | 300 | 125 | 155 | 135 |
| LV 32 A | 2P + ⊥ | 566 49 | 295 | 125 | 155 | 145 | 566 69 | 310 | 125 | 155 | 145 |
| | 3P + ⊥ | 566 53 | 295 | 125 | 155 | 145 | 566 73 | 310 | 125 | 155 | 145 |
| | 3P + N + ⊥ | 566 54 | 295 | 125 | 155 | 145 | 566 74 | 310 | 125 | 155 | 145 |

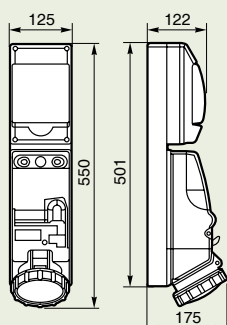
Without protection IP 66 - LV 63A

(Cat.Nos 572 98 and 589 10)



With empty Din rail - IP 66 - LV 63A

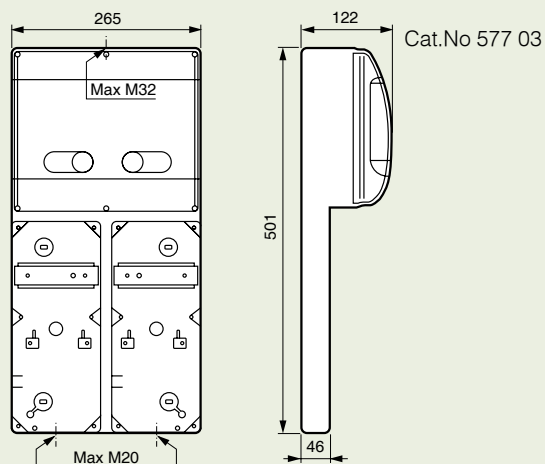
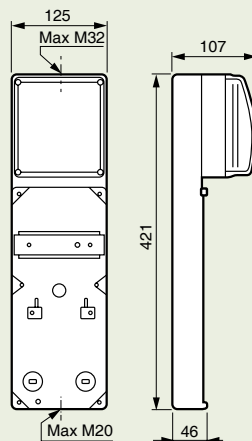
(Cat.Nos 589 18 and 572 99)



■ Dimensions

Bases

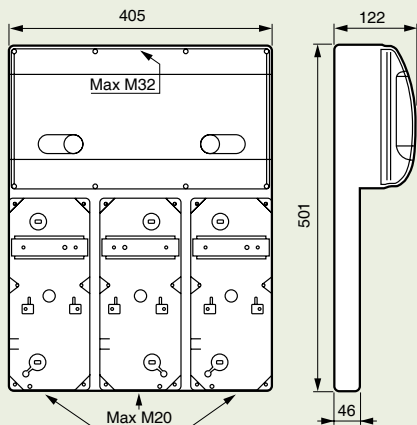
Cat.No 577 20



P 17 Tempra combined units

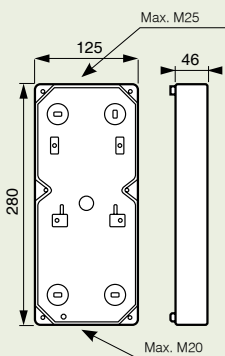
interlocked switched sockets

Cat.No 577 04



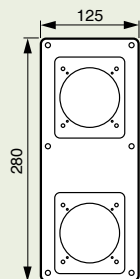
Surface mounting boxes

Cat.No 577 11

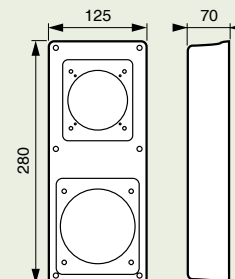


■ Faceplates

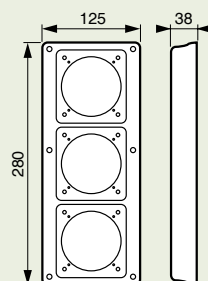
Cat.No 577 18



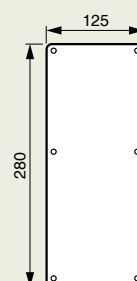
Cat.No 577 19



Cat.No 577 14

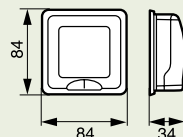


Cat.No 577 16



IP 55

Cat.No 539 48



| With bases | Number of sockets | Faceplates 125 x 280 mm |
|--------------------------|-----------------------------------|--------------------------------------|
| 577 11 and 577 20 | 2 x 16/32 A | 1 x 577 18 |
| | 1 x 16/32 A + 1 x 63 A | 1 x 577 19 |
| | 3 x 16 A | 1 x 577 14 |
| 577 03 | 4 x 16/32 A | 2 x 577 18 |
| | 2 x 16/32 A + 2 x 63 A | 2 x 577 19 |
| | 6 x 16 A | 2 x 577 14 |
| | 3 x 16/32 A + 1 x 63 A | 1 x 577 18 + 1 x 577 19 |
| | 2 x 16/32 A + 3 x 16 A | 1 x 577 18 + 1 x 577 14 |
| 577 04 | 1 x 16/32 A + 1 x 63 A + 3 x 16 A | 1 x 577 19 + 1 x 577 14 |
| | 6 x 16/32 A | 3 x 577 18 |
| | 3 x 16/32 A + 3 x 63 A | 3 x 577 19 |
| | 9 x 16 A | 3 x 577 14 |
| | 5 x 16/32 A + 1 x 63 A | 2 x 577 18 + 1 x 577 19 |
| | 4 x 16/32 A + 3 x 16 A | 2 x 577 18 + 1 x 577 14 |
| | 4 x 16/32 A + 2 x 63 A | 2 x 577 19 + 1 x 577 18 |
| | 2 x 16/32 A + 2 x 63 A + 3 x 16 A | 2 x 577 19 + 1 x 577 14 |
| | 6 x 16 A + 2 x 16/32 A | 2 x 577 14 + 1 x 577 18 |
| | 6 x 16 A + 1 x 16/32 A + 1 x 63 A | 2 x 577 14 + 1 x 577 19 |
| | 3 x 16/32 A + 1 x 63 A + 3 x 16 A | 1 x 577 18 + 1 x 577 19 + 1 x 577 14 |

Hypra IP 67 - 125 A

Plug dan soket industri



591 02



59123

50/60 Hz.

Sesuai dengan standar internasional : IEC 309.1
IEC 309.2

Panel mounting socket

| Pak | No. Kat. | Panel mounting socket |
|-----|----------|-----------------------|
| 1 | 591 12 | 3P + E |
| 1 | 591 13 | 3P + N + E |

Surface mounting socket

| | | |
|---|--------|------------|
| 1 | 591 02 | 3P + E |
| 1 | 591 03 | 3P + N + E |

Plug

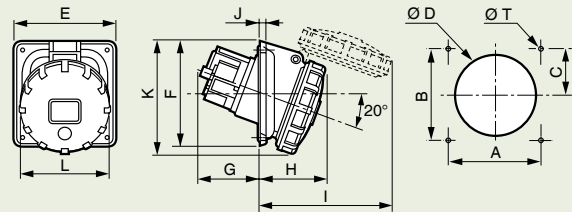
| | | |
|---|--------|------------|
| 1 | 591 22 | 3P + E |
| 1 | 591 23 | 3P + N + E |

Mobile socket

| | | |
|---|--------|------------|
| 1 | 591 32 | 3P + E |
| 1 | 591 33 | 3P + N + E |

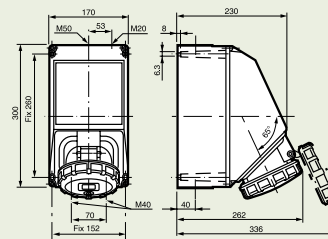
Hypra IP 67 - 125 A

Panel mounting socket



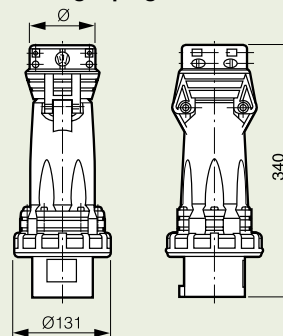
| | Weight (kg) | Drilling | | | | | | Dimensions | | | | | | | |
|-------------|-------------|----------|-----|----|-----|----|-----|------------|-----|----|----|-----|---|-----|-----|
| | | A | B | C | ØD | Ød | ØT | E | F | G | H | I | J | K | L |
| LV - 125 A | | | | | | | | | | | | | | | |
| 3 P + T | 1.400 | 124 | 124 | 62 | 120 | - | 6.5 | 146 | 146 | 84 | 93 | 182 | 8 | 157 | 131 |
| 3 P + N + T | 1.550 | 124 | 124 | 62 | 120 | - | 6.5 | 146 | 146 | 84 | 93 | 182 | 8 | 157 | 131 |

Surface mounting socket



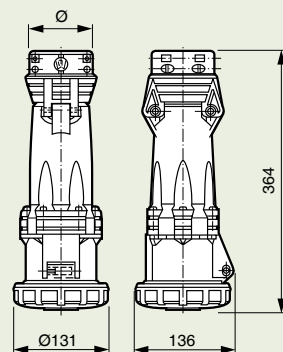
| | Berat (kg) |
|---------|------------|
| 125 A | |
| 3 P+T | 1,54 |
| 3 P+N+T | 1,81 |

• Straight plugs



| | Berat (kg) | Ø clamping and grip |
|---------|------------|---------------------|
| 125 A | | |
| 3 P+T | 1,5 | 24 to 48 |
| 3 P+N+T | 1,7 | 28 to 48 |

Mobile socket



| | Berat (kg) | Ø clamping and grip |
|---------|------------|---------------------|
| 125 A | | |
| 3 P+T | 1,8 | 24 to 48 |
| 3 P+N+T | 2 | 28 to 48 |

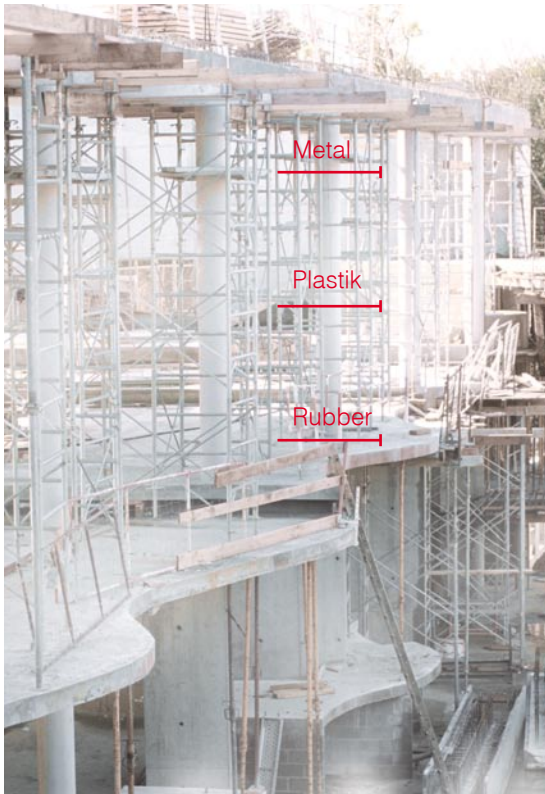
INDUSTRIAL SOCKETS AND COMBINED UNITS

INFORMASI LEBIH LANJUT HUBUNGI KAMI

➤ RESISTANCE OF MATERIALS

➤ Metal, plastic or rubber

Hypra™ sockets have inherited the traditional quality of Martin Lunel products. They are designed to operate in the harshest conditions in industry, building, public works and outdoors. Conformity with EN 60309-1, IEC 60309-1/2 standards.



➤ HYPRA COMBINED UNITS

With the Hypra™ combined units, ensure the longevity of your installation and enable optimum safety at each connection point, with a complete range which exceeds the requirements of existing standards.



Equipped combined units



Pre-drilled units



Empty units

➤ HIGH PERFORMANCE CAPACITY

Strong external cable grip :
stainless steel external screws

Tensile force safety :
uniform grip by 2 half-clamps
along the whole length of the
cable

Guaranted weatherproof :
cable camp holds the gland nut in
place



On request,
**customised combined
units** made according to
your requirements and
expectations, quotation
within 72 hours

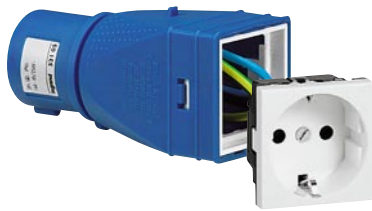


For more information contact us
(021) 5250608

Combined unit untuk refrigerated container



6571 06



521 05 + 741 30

Sesuai dengan :

- IEC 60309 - 2, 3 pin konfigurasi
- EN 60439 - 1
- IEC 60529
- EN 50102

| Pak | No. Kat. | IP 66/67 plastik P 17 Tempra |
|-----|----------|---|
| | | 32 A - 440 V ~ - 50 / 60 Hz - 3 P + \perp - 3 jam |
| | | IK 09 |
| | | Plastic body dan cover |
| | | Sekrup stainless steel |
| | | Dipasang dengan 32 A socket outlet |
| 1 | 6571 06 | Combined unit dengan interlocked switched socket |
| | | Sistem penguncian ganda |
| 1 | 6571 26 | Straight plug dengan kabel grip |
| | | Ø 12 s/d 21.5 mm |
| 1 | 6571 46 | Mobile socket dengan kabel grip |
| | | Ø 12 s/d 21.5 mm |
| | | Adaptor |
| 10 | 521 05 | 16A - 230V |
| | | Input : IEC 2P + \perp |
| | | Output : kosong, harus dilengkapi dengan Mosaic 2 modul |

Combine unit untuk refrigerated container

■ IP 66 / 67 plastic P 17 Tempra

Cat.No 6571 06

